

QUALITY | RELIABILITY | PERFECTION



PRODUCT CATALOGUE



SHREE GANESH ENGINEERING WORKS

ISO 9001 : 2008

B/8, MADHURAM ESTATE, NR. S.P. RING ROAD,
KATHWADA GIDC, AHMEDABAD-382330

Phone : +91 - 79 - 65421881

Mobile:- +91 99041 52222

E-mail : sales.sgew@gmail.com / jay@mescovalves.com

TECHNICAL DATA :

CONSTRUCTION :

3 piece design, Single piece stem (Spindle) Reinforced Ball, Teflon seated, full bore.

DESIGN AND MANUFACTURING STD. :

As per Manufacturer's Standard

END CONNECTIONS :

Flanged as per ANSI B 16.5 (150 #) & as per BS 10 (Table D/E/F) & DIN STD.

AVAILABLE M.O.C. :

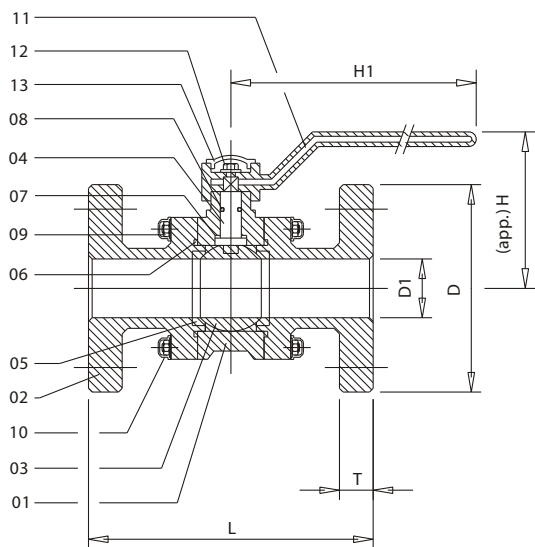
PP (POLYPROPYLENE) | HDPE (HIGH DENSITY POLYETHYLENE)
ISOTACTIC PP | PVDF (POLYVINYLIDENE FLUORIDE)

AVAILABLE SIZE :

½" (15 NB) to 12" (300 NB)



PP / HDPE BALL VALVE - Flange End



NO.	DESCRIPTION	MATERIAL OPTION	QTY.
01	BODY	PP / HDPE / ISOPP / PVDF	1
02	SIDE PIECE/CONNECTOR	PP / HDPE / ISOPP / PVDF	2
03	BALL	PP / HDPE / ISOPP / PVDF	1
04	STEM/SPINDLE	M.S./S.S.PP/ISOPP/PVDF COATED	1
05	SEAT RING	PTFE	2
06	CONNECTOR SEAL	NEOPRENE RUBBER / PTFE	2
07	STEM SEAL RING	PTFE	1
08	STEM O-RING	NEOPRENE	1
09	STUD, NUT & WASHER	M.S. (EN8) / S.S. 316	REQ.
10	NUT CAP	PP	REQ.
11	HANDLE	M.S. PP COATED	1
12	HANDLE HEX. PIN	M.S. (EN8) / S.S. 316	1
13	HANDLE CAP	PP	1

SIZE		CODE	ØD	ØD1	L	T	H	H1
IN.	NB							
½"	15	P1BF01	100.0	13.5	129.0	13.0	69.0	131.0
¾"	20	P1BF02	101.0	19.0	142.0	14.0	75.0	131.0
1"	25	P1BF03	121.0	25.0	158.0	21.0	92.0	161.0
1 ½"	40	P1BF04	138.0	38.0	182.0	22.0	111.0	205.0
2"	50	P1BF05	165.0	50.0	210.0	23.0	122.0	205.0
2 ½"	65	P1BF06	182.0	63.5	234.0	25.0	140.0	262.0
3"	80	P1BF07	200.0	75.0	252.0	25.0	148.0	262.0
4"	100	P1BF08	226.0	100.0	297.0	28.0	170.0	335.0
6"	150	P1BF09	303.0	150.0	425.0	32.0	236.0	498.0
8"	200	P1BF10	360.0	200.0	497.0	32.0	283.0	498.0
10"	250	P1BF11	Available On Request					
12"	300	P1BF12	Available On Request					

ALL DIMENSIONS ARE IN MM

(±2 MM)

WORKING PRESSURE		
BODY	SEAT	TEMP.
150 PSI	100 PSI	80° C

Note : We will also provide in :

- SS 316 Parts (Stem, Fasteners)
- Glass Filled Ball, PVDF Ball,
- M.O.C.: PVDF / PP-H for details & prices Contact us.
- Material Code P1 : Polypropylene



TECHNICAL DATA :

CONSTRUCTION :

3 piece design, Single piece stem (Spindle) Reinforced Ball, Teflon seated, full bore.

DESIGN AND MANUFACTURING STD. :

As per Manufacturer's Standard

END CONNECTIONS :

Screw end (BSP thread)

AVAILABLE M.O.C. :

PP (POLYPROPYLENE) | ISOTACTIC PP
PVDF (POLYVINYLIDENE FLUORIDE)

AVAILABLE SIZE :

½" (15 NB) to 4" (100 NB)

PP BALL VALVE - Screw End

NO.	DESCRIPTION	MATERIAL OPTION	QTY.
01	BODY	PP / ISOPP / PVDF	1
02	SIDE PIECE/CONNECTOR	PP / ISOPP / PVDF	2
03	BALL	PP / ISOPP / PVDF	1
04	STEM/SPINDLE	M.S./S.S. PP/ISOPP/PVDF COATED	1
05	SEAT RING	PTFE	2
06	CONNECTOR SEAL	NEOPRENE RUBBER / PTFE	2
07	STEM SEAL RING	PTFE	1
08	STEM O-RING	NEOPRENE	1
09	STUD, NUT & WASHER	M.S. (EN8) / S.S. 316	REQ.
10	NUT CAP	PP	REQ.
11	HANDLE	M.S. PP COATED	1
12	HANDLE HEX. PIN	M.S. (En8) / S.S. 316	1
13	HANDLE CAP	PP	1

SIZE		CODE	ØD	ØD1	L	L1	H	H1
IN.	NB							
½ "	15	P1BS01	15.0	½ "	116.0	22.0	69.0	131.0
¾ "	20	P1BS02	19.0	¾ "	127.0	23.0	75.0	131.0
1 "	25	P1BS03	24.0	1 "	131.0	25.0	92.0	161.0
1 ½ "	40	P1BS04	38.0	1 ½ "	171.0	36.0	111.0	205.0
2 "	50	P1BS05	50.0	2 "	204.0	45.0	122.0	205.0
2 ½ "	65	P1BS06	63.0	2 ½ "	224.0	52.0	140.0	262.0
3 "	80	P1BS07	75.0	3 "	252.0	53.0	148.0	262.0
4 "	100	P1BS08	100.0	4 "	287.0	63.0	170.0	335.0

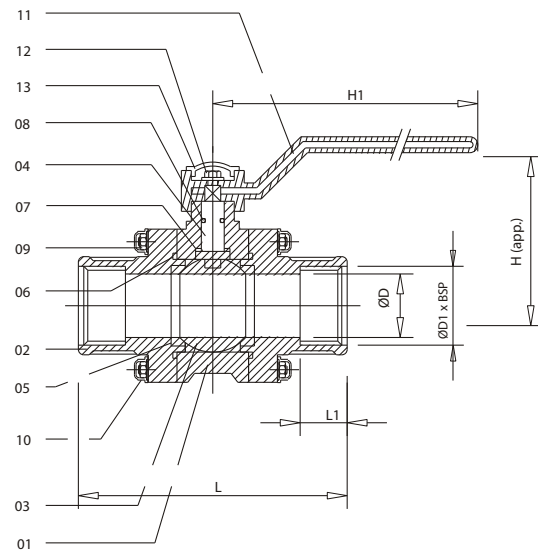
ALL DIMENSIONS ARE IN MM

(±2 MM)

WORKING PRESSURE		
BODY	SEAT	TEMP.
150 PSI	100 PSI	80° C

Note : We will also provide in :

- SS 316 Parts (Stem, Fasteners)
- Glass Filled Ball, PVDF Ball,
- M.O.C.: PVDF / PP-H for details & prices Contact us.
- Material Code P1 : Polypropylene



TECHNICAL DATA :

CONSTRUCTION :

Weir type design, Soft seated, Raising stem

DESIGN AND MANUFACTURING STD. :

As per Manufacturer's Standard

END CONNECTIONS : Flanged as per ANSI B 16.5 (150 #)
as per BS 10 (Table D/E/F) & DIN STD.

AVAILABLE M.O.C. :

PP (POLYPROPYLENE) | ISOTACTIC PP

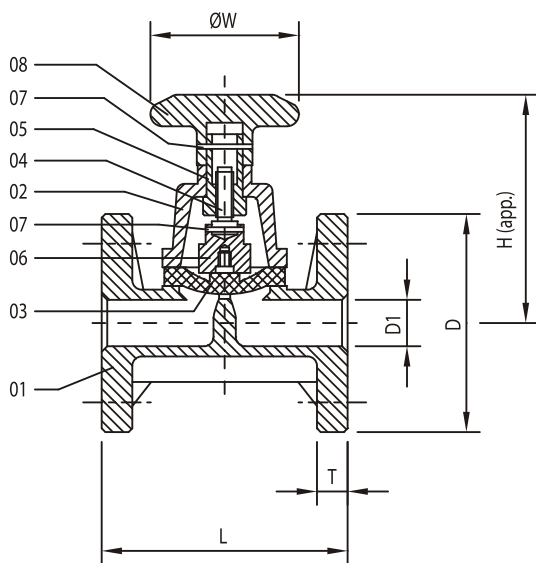
PVDF (POLYVINYLIDENE FLUORIDE)

AVAILABLE SIZE :

1/2" (15 NB) to 4" (100 NB)



PP DIAPHRAGM VALVE - Flange End



NO.	DESCRIPTION	MATERIAL OPTION	QTY.
01	BODY	PP / ISOPP / PVDF	1
02	BONNET	PP / ISOPP / PVDF	1
03	DIAPHRAGM	NEOPRENE / TEFLON COATED	1
04	STEM/SPINDLE	M.S. / S.S. 316	1
05	STEM/SPINDLE NUT	M.S. / S.S. 316	1
06	COMPRESSOR	GLASS FILLED PP	1
07	PIN	M.S. / S.S. 316	1
08	HAND WHEEL	PP / ISOPP	1
09	STUD, NUT & WASHER	M.S. ZINK COATED / S.S. 316	REQ

SIZE		CODE	ØD	ØD1	L	T	H	ØW
IN.	NB							
½"	15	P1DF01	95.0	15.0	116.0	15.0	85.0	76.0
¾"	20	P1DF02	101.0	20.0	120.0	16.5	96.5	76.0
1"	25	P1DF03	121.0	25.0	133.0	16.5	113.5	76.0
1 ½"	40	P1DF04	141.0	38.0	167.0	19.5	175.0	96.0
2"	50	P1DF05	166.0	50.0	200.0	21.0	195.0	105.0
2 ½"	65	P1DF06	183.0	63.0	244.0	24.0	208.0	198.0
3"	80	P1DF07	204.0	77.0	248.0	25.0	211.0	198.0
4"	100	P1DF08	227.0	102.0	335.0	25.0	280.0	229.0

ALL DIMENSIONS ARE IN MM

(±2 MM)



WORKING PRESSURE		
BODY	SEAT	TEMP.
150 PSI	100 PSI	80° C

Note : We will also provide in :

- SS 316 Parts (Stem, Fasteners)
- EPDM / Viton Rubber and PTFE coated Rubber
- M.O.C.: PVDF / PP-H for details & prices Contact us.
- Material Code P1 : Polypropylene



TECHNICAL DATA :

CONSTRUCTION :

Weir type design, Soft seated, Raising stem

DESIGN AND MANUFACTURING STD. :

As per Manufacturer's Standard

END CONNECTIONS :

Screw end (BSP thread)

AVAILABLE M.O.C. :

PP (POLYPROPYLENE) | ISOTACTIC PP

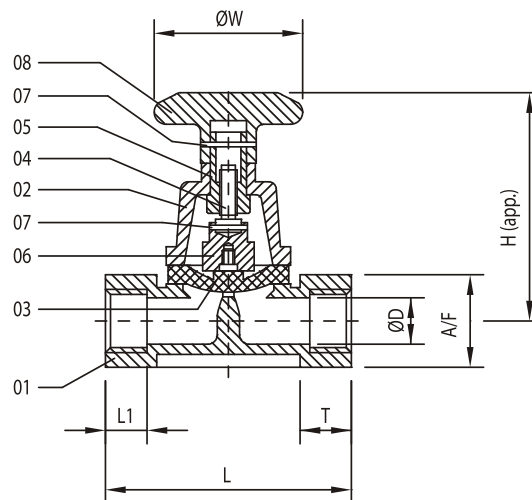
PVDF (POLYVINYLIDENE FLUORIDE)

AVAILABLE SIZE :

½" (15 NB) to 1" (25 NB)

PP DIAPHRAGM VALVE - Screw End

NO.	DESCRIPTION	MATERIAL OPTION	QTY.
01	BODY	PP / ISOPP / PVDF	1
02	BONNET	PP / ISOPP / PVDF	1
03	DIAPHRAGM	NEOPRENE / TEFLON COATED	1
04	STEM/SPINDLE	M.S. / S.S. 316	1
05	STEM/SPINDLE NUT	M.S. / S.S. 316	1
06	COMPRESSOR	GLASS FILLED PP	1
07	PIN	M.S. / S.S. 316	1
08	HAND WHEEL	PP / ISOPP	1
09	STUD, NUT, WASHER	M.S. ZINC COATED / S.S. 316	REQ.



SIZE		CODE	ØD	L	L1	A/F	T	H	ØW
IN.	NB								
½"	15	P1DS01	15.0	89.0	16.5	31.0	17.5	84.5	76.0
¾"	20	P1DS02	20.0	107.0	18.0	38.0	20.0	95.0	76.0
1"	25	P1DS03	25.0	123.0	21.0	45.0	23.0	114.5	76.0

ALL DIMENSIONS ARE IN MM (±2 MM)

WORKING PRESSURE		
BODY	SEAT	TEMP.
150 PSI	100 PSI	80° C

Note : We will also provide in :

- SS 316 Parts (Stem, Fasteners)
- EPDM / Viton Rubber and PTFE coated Rubber
- M.O.C.: PVDF / PP-H for details & prices Contact us.
- Material Code P1 : Polypropylene



TECHNICAL DATA :

CONSTRUCTION :

Ball type design, Soft seated

DESIGN AND MANUFACTURING STD. :

As per Manufacturer's Standard

END CONNECTIONS :

Flanged as per ANSI B 16.5 (150 #) &
as per BS 10 (Table D/E/F) & DIN STD.

AVAILABLE M.O.C. :

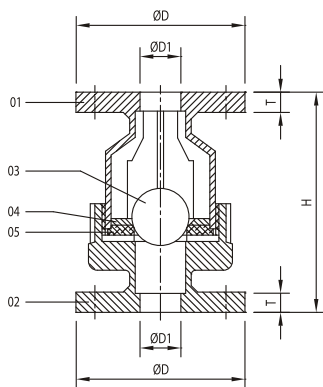
PP (POLYPROPYLENE) | ISOTACTIC PP
PVDF (POLYVINYLIDENE FLUORIDE)

AVAILABLE SIZE :

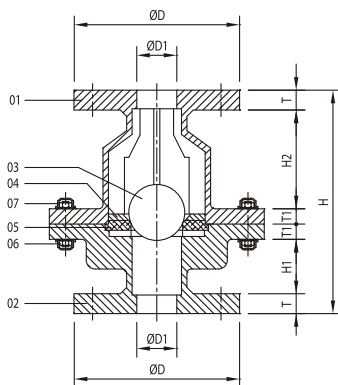
1" (25 NB) to 8" (200 NB)



PP NON RETURN VALVE - Flange End



AVAILABLE SIZE : 1" & 1¼" Only



AVAILABLE SIZE : 1 ½" to 8" Only



NO.	DESCRIPTION	MATERIAL OPTION	QTY.
01	TOP BODY	PP / ISOPP / PVDF	1
02	BOTTOM BODY	PP / ISOPP / PVDF	1
03	BALL	M.S. PP / ISOPP / PVDF COATED	1
04	BALL RING	PP / ISOPP / PVDF	1
05	SEAT RING	NEOPRENE RUBBER	1
06	STUD NUT WASHER	M.S. (En 8) S.S. 316	Req.
07	NUT CAP	PP	1

SIZE		CODE	ØD	ØD1	H	H1	H2	T	T1
IN.	NB								
1"	25	P1NF01	122.0	26.0	161.0	-	-	18.0	-
1 ½"	40	P1NF02	140.0	38.0	187.0	24.0	90.0	22.0	14.0
2"	50	P1NF03	166.5	50.0	190.0	25.0	92.0	22.0	14.0
2 ½"	65	P1NF04	182.0	64.5	260.0	46.0	130.0	26.0	18.0
3"	80	P1NF05	199.0	77.0	265.0	46.0	130.0	26.0	18.0
4"	100	P1NF06	229.0	101.0	305.0	46.0	175.0	26.0	18.0
6"	150	P1NF07	Available On Request						
8"	200	P1NF08	Available On Request						

ALL DIMENSIONS ARE IN MM

(±2 MM)

WORKING PRESSURE		
BODY	SEAT	TEMP.
150 PSI	100 PSI	80° C

Note : We will also provide in :

- SS 316 Parts
- EPDM / Viton Rubber
- M.O.C.: PVDF / PP-H for details & prices Contact us.
- Material Code P1 : Polypropylene



TECHNICAL DATA :

CONSTRUCTION :

Ball type design, Soft seated

DESIGN AND MANUFACTURING STD. :

As per Manufacturer's Standard

END CONNECTIONS :

Screw end (BSP thread)

AVAILABLE M.O.C. :

PP (POLYPROPYLENE) | ISOTACTIC PP

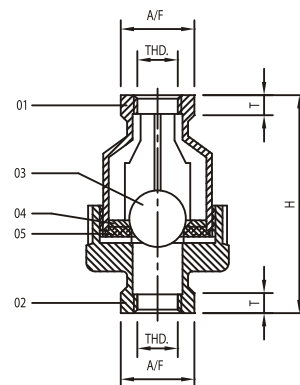
PVDF (POLYVINYLIDENE FLUORIDE)

AVAILABLE SIZE :

1" (25 NB) to 4" (100 NB)

PP NON RETURN VALVE - Screw End

NO.	DESCRIPTION	MATERIAL OPTION	QTY.
01	TOP BODY	PP / ISOPP / PVDF	1
02	BOTTOM BODY	PP / ISOPP / PVDF	1
03	BALL	M.S. PP / ISOPP / PVDF COATED	1
04	BALL RING	PP / ISOPP / PVDF	1
05	SEAT RING	NEOPRENE RUBBER	1



AVAILABLE SIZE : 1 ½" to 4" Only



SIZE		CODE	A/F	THDS.	H	T
IN.	NB					
1 "	25	P1NS01	54.0	1 "	154.0	22.0
1 ¼ "	32	P1NS02	54.0	1 ¼ "	154.0	22.0
1 ½ "	40	P1NS03	68.0	1 ½ "	193.0	24.0
2 "	50	P1NS04	78.0	2 "	193.0	25.0
2 ½ "	65	P1NS05	93.0	2 ½ "	278.0	29.0
3 "	80	P1NS06	108.0	3 "	280.0	30.0
4 "	100	P1NS07	135.0	4 "	352.0	32.0

ALL DIMENSIONS ARE IN MM (±2 MM)

AVAILABLE SIZE : 1" to 1¼" Only



WORKING PRESSURE

BODY	SEAT	TEMP.
150 PSI	100 PSI	80° C

Note : We will also provide in :

- SS 316 Parts
- EPDM / Viton Rubber
- M.O.C.: PVDF / PP-H for details & prices Contact us.
- Material Code P1 : Polypropylene

TECHNICAL DATA :

CONSTRUCTION :

Single piece body.

DESIGN AND MANUFACTURING STD. :

As per Manufacturer's Standard

END CONNECTIONS :

Flanged as per ASA 150 #

AVAILABLE M.O.C. :

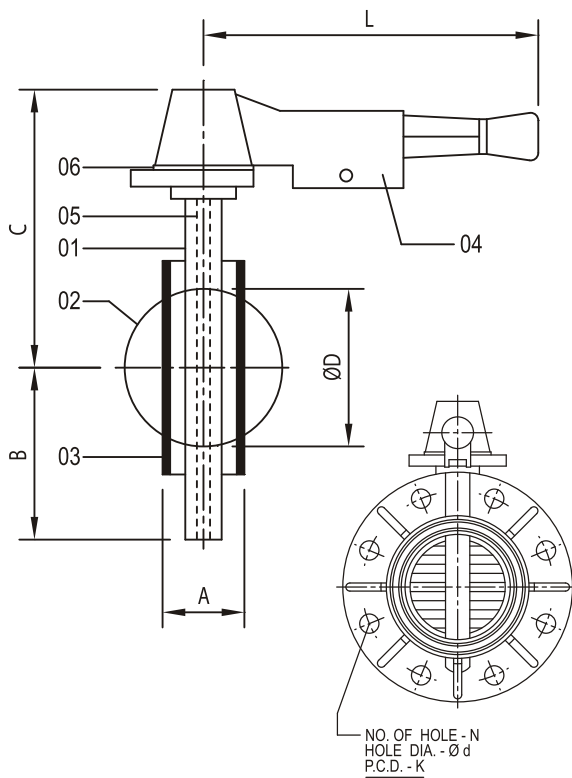
PP (POLYPROPYLENE) | ISOTACTIC PP
PVDF (POLYVINYLIDENE FLUORIDE)

AVAILABLE SIZE :

2" (50 NB) to 10" (250 NB)



PP BUTTERFLY VALVE - Flange End



NO.	DESCRIPTION	MATERIAL OPTION	QTY.
01	BODY	PP / ISOPP / PVDF	1
02	DISC	PP / ISOPP / PVDF	1
03	SEAT	NEOPRENE / EPDM / VITON	1
04	LEVER	PP / ABS	1
05	STEM	EN 8 / S.S. 316	1
06	LEVER LOCK	M.S. ZINC COATED	1

SIZE		CODE	A	B	C	ØD	L	N	ØD1	K
IN.	NB									
2"	50	P1BTF01	43	84	159	60	224	4	19.0	120.7
2 ½"	65	P1BTF02	47	90	165	75	224	4	19.0	137.0
3"	80	P1BTF03	49	100	168	80	224	4	19.0	152.4
4"	100	P1BTF04	54	115	184	104	224	8	19.0	190.5
6"	150	P1BTF05	86	145	224	152	310	8	22.0	241.3
8"	200	P1BTF06	92	170	260	205	310	8	22.0	292.0
10"	250	P1BTF07	109	200	290	257	310	12	22.0	362.0

ALL DIMENSIONS ARE IN MM

(±2 MM)

WORKING PRESSURE		
BODY	SEAT	TEMP.
150 PSI	100 PSI	80° C

Note : We will also provide in :

- SS 316 Parts
- EPDM / Viton Rubber
- M.O.C.: PVDF / PP-H for details & prices Contact us.
- Material Code P1 : Polypropylene